

■ All of our lifting gear is correctly certified and meets all required European standards.

■ Engineered and manufactured to ASME B30.20 & BTH-1 Design Category B Service Class 2.

■ 100% of All our lifting products are Proof-Tested to 125% capacity and certificates supplied at No Additional Charge.

■ Custom made and 100% Made in Italy.

■ Custom made and 100% Made in USA.

Customized capacity available on request

GRIPPER for JERSEY, CONCRETE ROAD BARRIERS CLAMP



MODEL	CAPACITY	GRAB WIDTH	GRAB DEPTH	JAWS LENGTH	TARE
	[kg]	[mm]	[mm]	[mm]	[kg]
ELS11130	5000	25 to 425	200	500	220
	8000				
ELS11130	lbs.	INCH.	INCH.	INCH.	lbs.
	11,050	0,99/16,74	7,88	19,69	486
	17,650	0,99/16,74	7,88	19,69	1037

SUPPLY BASE MODEL: ELS11130

Semi-automatic locking pliers
Jaws of cut-resistant rubber grip
Galvanization

AVAILABLE STANDS



Jaws of black rubber grip

Reliable grip: Gripper for new jersey Barrier Lifts provide a safe, easy, and efficient solution for lifting and placing concrete barrier wall. Exclusive elastomer grips provide superior performance, even in inclement weather. These rugged barrier tongs provide full surface contact without damaging the concrete. The socket can leave a slight black mark. The rubberized surface is subject to wear and, if used on very rough surfaces, can be damaged due to the strong tension.



Semi-automatic locking

Standard configuration of the clamp is necessary to act on the release lever. The hang-up which leads to the release of the raised piece is automatic.



Special colors on request

The standard surface finish is galvanized. Color choice can be customized.



Iron Clamps

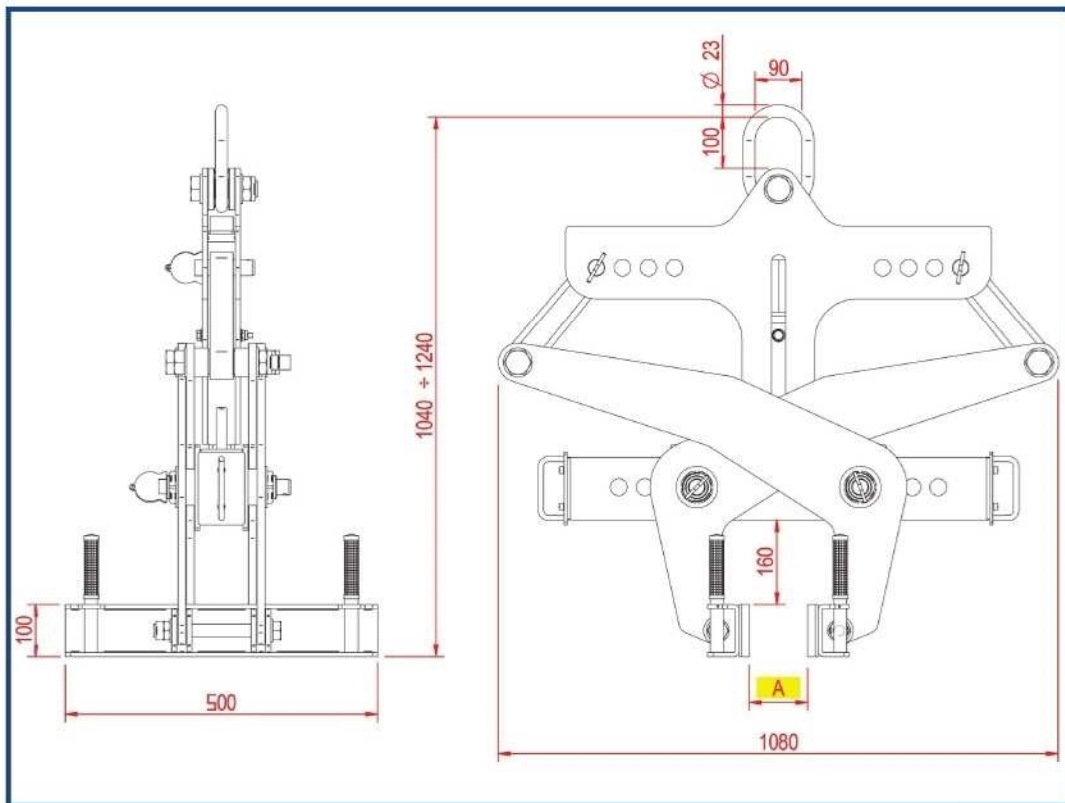
Equipped with sharp projections that penetrate the surface, providing maximum hold. Very suitable for frequent and intense use and for the handling of motorway barriers, such as New Jersey. This accessory slightly damages the surface.



Automatic lock of the clamp

The phases of attachment and release of the gripper are managed independently by a simple mechanical system. In doing so, the crane operator is able to manage the gripper without necessarily be close it.

CLAMP FOR LIFTING OF CONCRETE BLOCKS



Maximum capacity: 5000 kg. / 8000 kg - Customized capacity available on request
 Opening range: 0 + 400 mm. - Customized capacity available on request
 Surface finish: Zinc plated.
 Tilting jaws with spring return to adapt the outlet inclined surfaces.

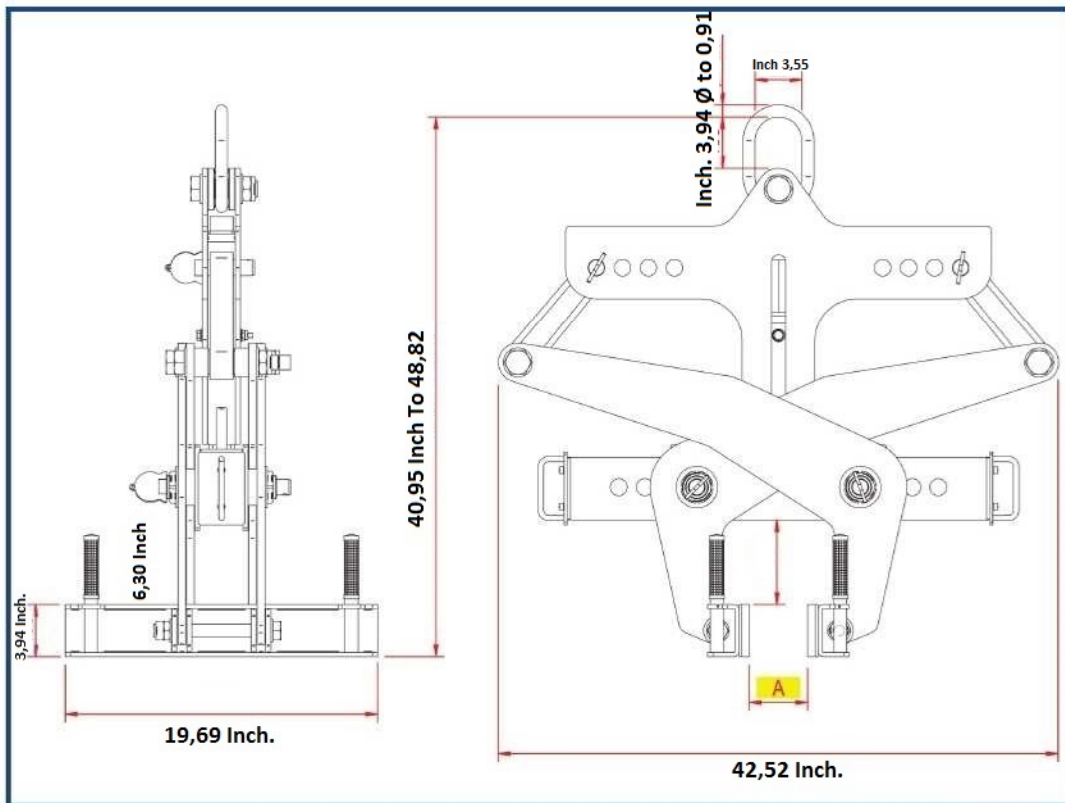
Maximum capacity: **lbs. 11,050 / 17,650** Customized capacity available on request
 Opening range: 0 + **Inch.16,74** Customized capacity available on request
 Surface finish: Zinc plated.
 Tilting jaws with spring return to adapt the outlet inclined surfaces.

Supplied with ring for suspension.
 Supplied with locking semi-manual - Optional: automatic locking.
 Supplied with rubber sockets - Optional: made of hardened steel.
 The product is CE certified and accompanied by instructions for use and maintenance.



- Engineered and manufactured to ASME B30.20 & BTH-1 Design Category B Service Class 2.
- 100% of All our lifting products are Proof-Tested to 125% capacity and certificates supplied at No Additional Charge.
 - Custom made and 100% Made in USA.

CLAMP FOR LIFTING OF CONCRETE BLOCKS



Maximum capacity: **lbs. 11,050 / 17,650**

Opening range: O + **Inch.16,74**

Surface finish: Zinc plated.

Tilting jaws with spring return to adapt the outlet inclined surfaces.

Supplied with ring for suspension.

Supplied with locking semi-manual - Optional: automatic locking.

Supplied with rubber sockets - Optional: made of hardened steel.

Customized capacity available on request

Customized capacity available on request